



CPL

Product Information Sheet

Standard Specification

Dimensions

Width/Depth/ (mm)	1100/1100/1850
Filling inlet diameter (mm)	350
Outlet diameter (mm)	50
Tare weight (kg)	170
Nominal capacity (L)	900

Composition

Liner	LMDPE ¹
Framework with anti-tilt bars	Mild Steel (galvanised)
Inlet / Seal	HDPE ² / SR ³
Outlet / Seal	UPVC ⁴ / EPDM ⁵

Options

Various valves / seals including Viton
 Various valve outlet orientations
 Various vents and top fittings
 Screw top or clamp band lid options
 Black liner for UV protection of contents
 Vinyl logos
 Vinyl fluid level indicators
 Trem card holders
 Anti-tilt facility or fork tunnels

1 - Linear Medium Density Polyethylene 2 - High Density polyethylene
 3 - Silicone Rubber 4 - Unplasticized Polyvinyl Chloride
 5 - Ethylene Propylene Diene Monomer

Description

The CPL 900 is a reusable IBC for blending and mixing liquids.

The CPL liner is rotationally moulded in natural UV stabilised linear medium density polyethylene. The manufacturing process produces seam free and virtually stress free thick walled containers that have excellent resistance to industrial wear and tear, corrosion and environmental stress cracking.

The liner has a central vertical outlet to aid complete discharge of contents. The liner is supported and protected by a galvanised mild steel frame, providing excellent resistance to the elements. The frame has integral fork lift and stacking capability, so units can be stacked for loading and space saving.

The liner inlet is 350mm in diameter and has a HDPE² screw cap fitted with an EPDM⁵ O-ring seal as standard. The outlet is a 50mm single union UPVC⁴ ball valve fitted with EPDM⁵ seals.

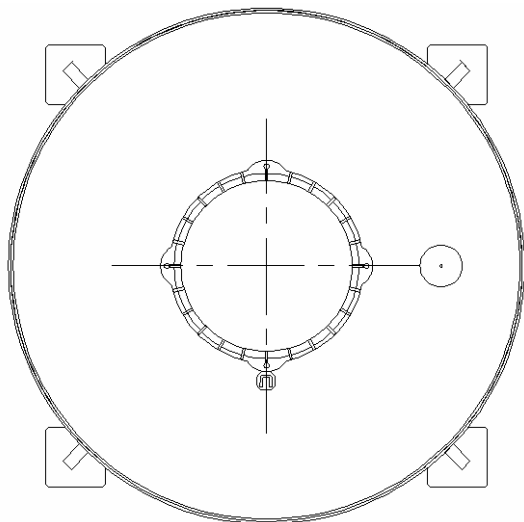


Container shown is a CPL 900 with a painted frame and no anti-tilt bars

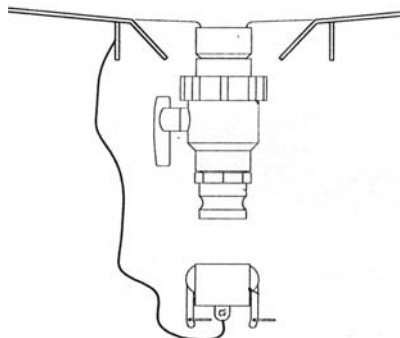
- A blending and mixing vessel
- Central discharge and valve options
- Mild steel frame with painted or galvanised finish
- Bespoke frame design options

CPL Product Range

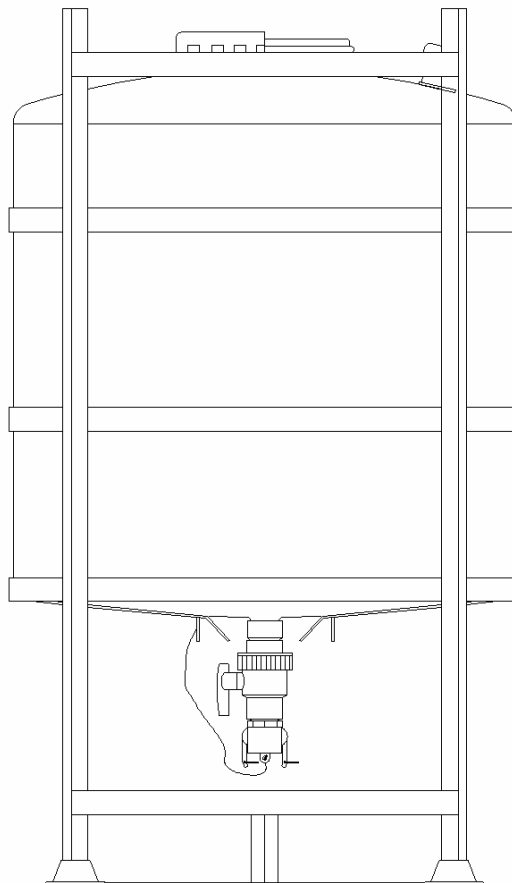
Type	Volume litres	Dimensions Width/Length/Height mm	Weight Kg
CPL 9000	900	1100 / 1100 / 1850	170



Plan View



Outlet View



Front Elevation

Whilst every attempt has been made to ensure that the information provided in this product information sheet is accurate and reliable Francis Ward Limited cannot accept responsibility for the interpretation of the information provided

It is the responsibility of the user to determine the chemical compatibility of the container with its intended contents..



Francis Ward Limited

Brook House, 221 Bowling Back Lane, Bradford, BD4 8SJ, UK

Tel: +44 (0)1274 707030 Fax: +44 (0)1274 724704

Email: sales@francisward.com

Website: www.francisward.com